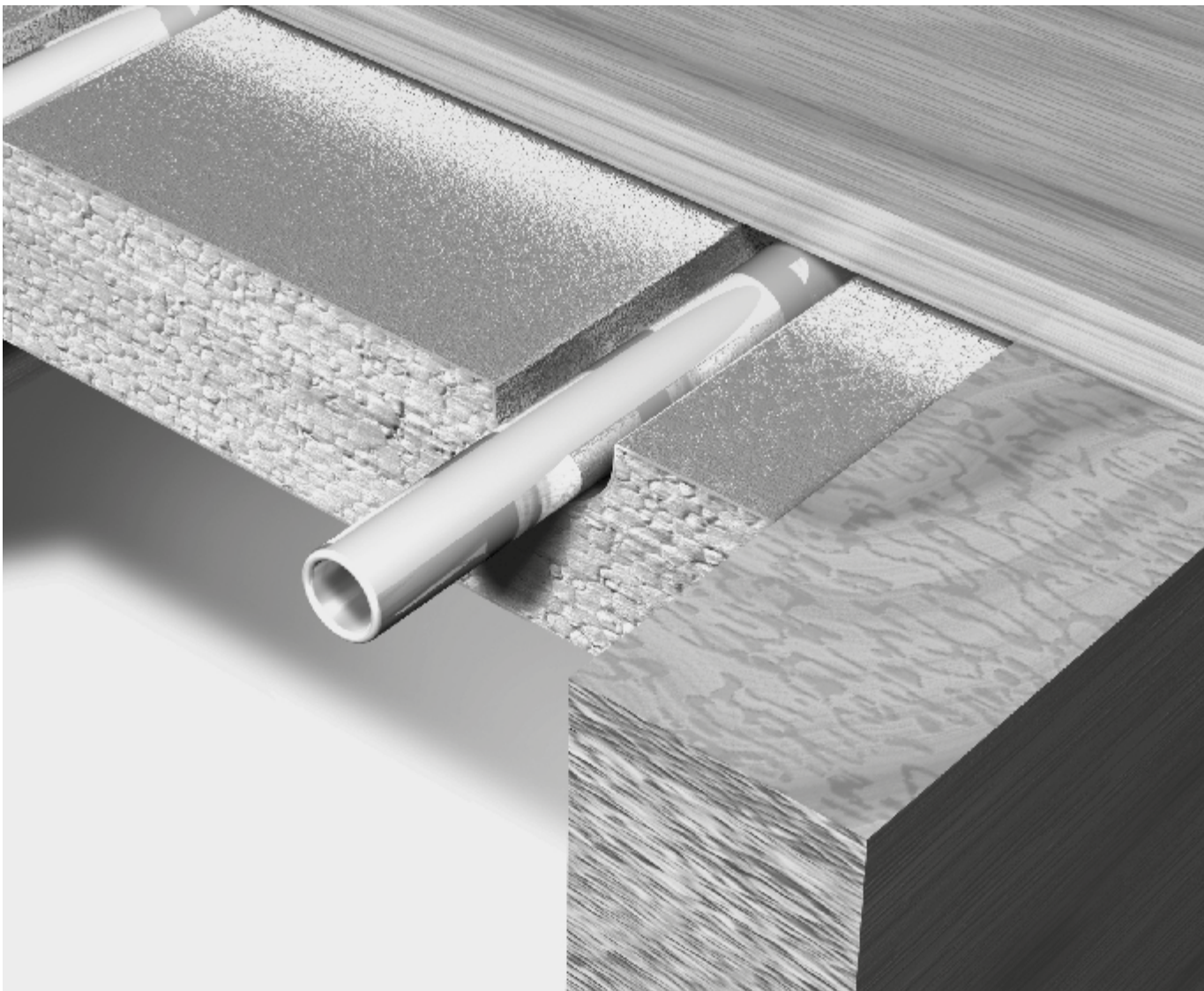
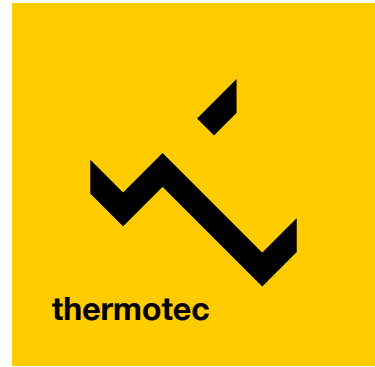


TPA13

Product

Aquafloor

Routed & Foiled insulation panel Underfloor Heating System



Contact

thermotec

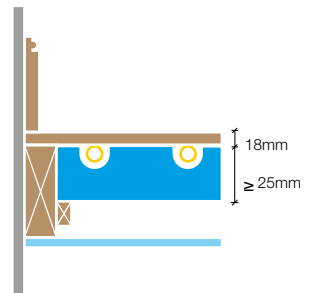
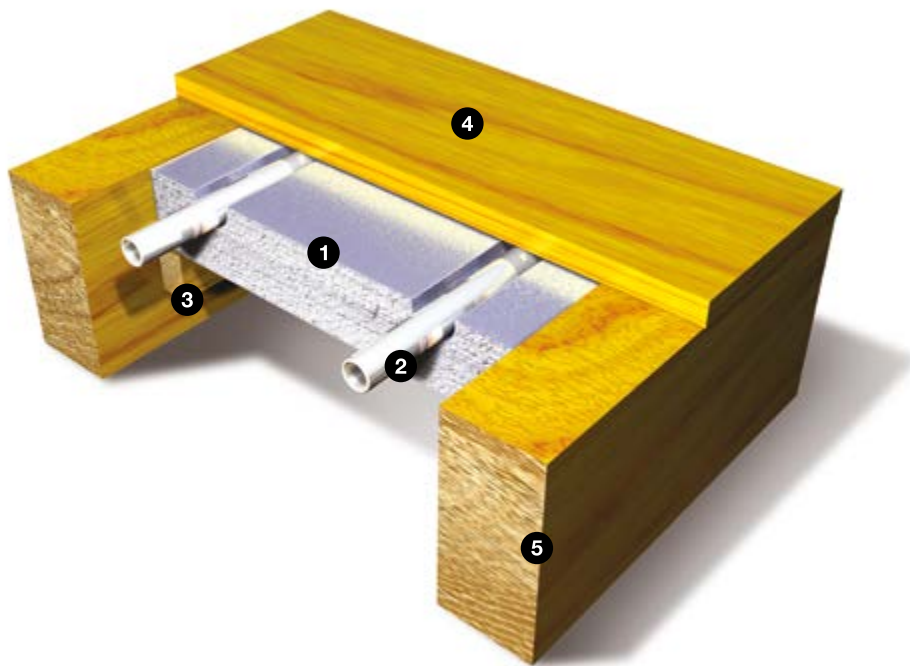
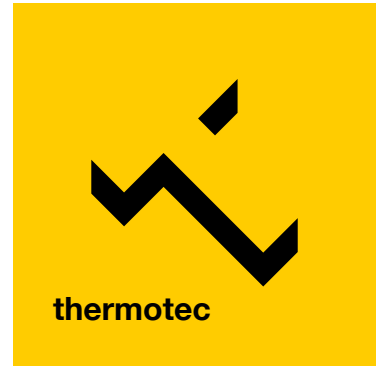
Southpoint, Compass Park,
Bodiam, Robertsbridge
TN32 5BS

thermotecuk.com



Routed & Foiled Insulation Panel Underfloor Heating System

Suspended Timber & Battened Floors



Heat output of up to 80watts/m²

Suitable for laying on timber joisted floors

No increase in floor height

Choice of insulation thicknesses

Individual temperature control in every room

TYPICAL SECTION

- 1 Aquafloor routed and foiled EPS insulation panel
- 2 Aquafloor 17mm PE-MDXc multilayer UFH pipe
- 3 Timber Support batten
- 4 Structural floor deck
- 5 Timber floor joists

FEATURES AND BENEFITS

- Aquafloor routed rigid insulation panel with laminated aluminum foil face to allow good heat diffusion
- System can be installed within typical joisted floor construction, adding no extra height to floor make up
- Typical heating outputs range from 50 – 80w/m²
- Aquafloor insulation panel is available in a range or thickness from 25 – 100mm