

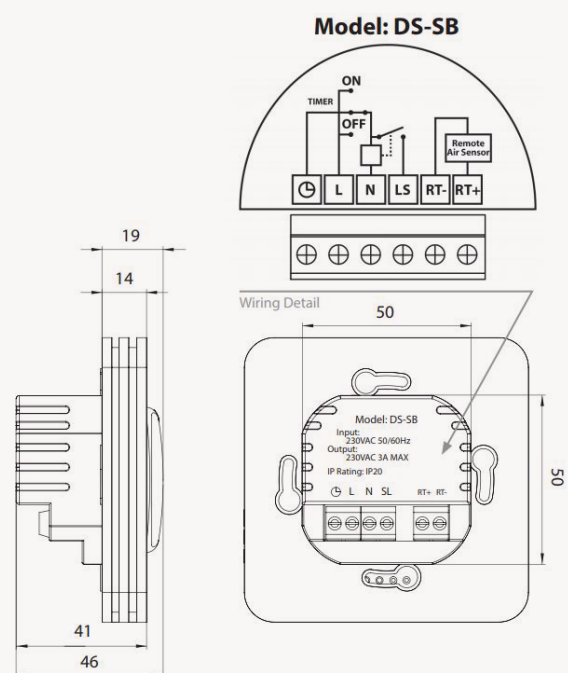
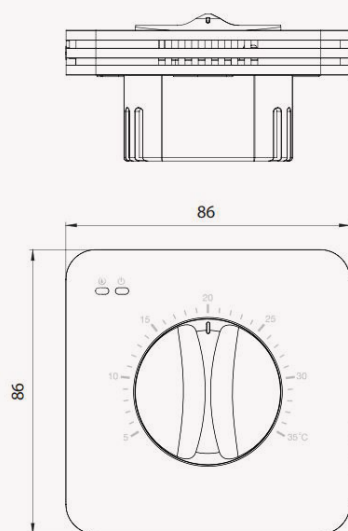
## Product

### Thermotec DS-SB

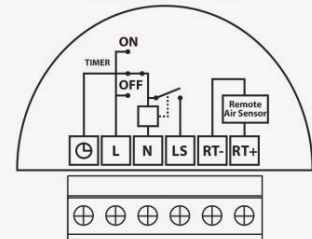
Flush mounted set-back thermostat



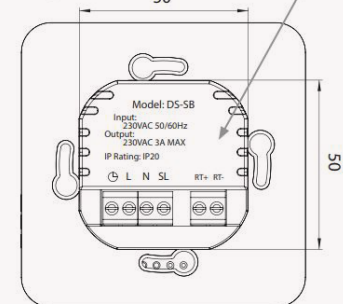
#### Product Dimensions (mm)



#### Model: DS-SB



#### Wiring Detail



---

## Specifications

---

The Thermotec DS-SB is a flush mounted set-back thermostat and is ideal for those who want a simple but energy efficient temperature control system. The DS-SB features a set-back function. This function automatically reduces the set temperature by 4°C when no time clock signal is detected. The DS-SB thermostat has been designed to work in conjunction with the Heatmiser UH8 wiring centre and TM4 Programmer, but can also be used as a standalone dial thermostat.

---

<b>Temperature Range</b>	05-35°C
<b>Mounting Type</b>	Flush
<b>Set Back Function</b>	Yes
<b>Digital Display</b>	No
<b>Time Clock Override Switch</b>	Yes
<b>Dial Lock (using internal pins)</b>	Yes
<b>Built in Sensor</b>	Yes
<b>Remote Air Sensing Mode</b>	Yes
<b>Floor Sensing Mode</b>	Yes
<b>Remote probe Included</b>	No
<b>Built In Air &amp; Floor</b>	No
<b>Adjustable Switching Differential</b>	No
<b>Accuracy</b>	+/-1.5°C
<b>Supply</b>	230VAC
<b>Rating</b>	3A
<b>Installed Dimensions (L,H,D)</b>	86,86,19mm
<b>Weight</b>	165g

---

## Contact

---

### **thermotec**

Southpoint, Compass Park,  
Bodiam, Robertsbridge  
TN32 5BS

**thermotecuk.com**

